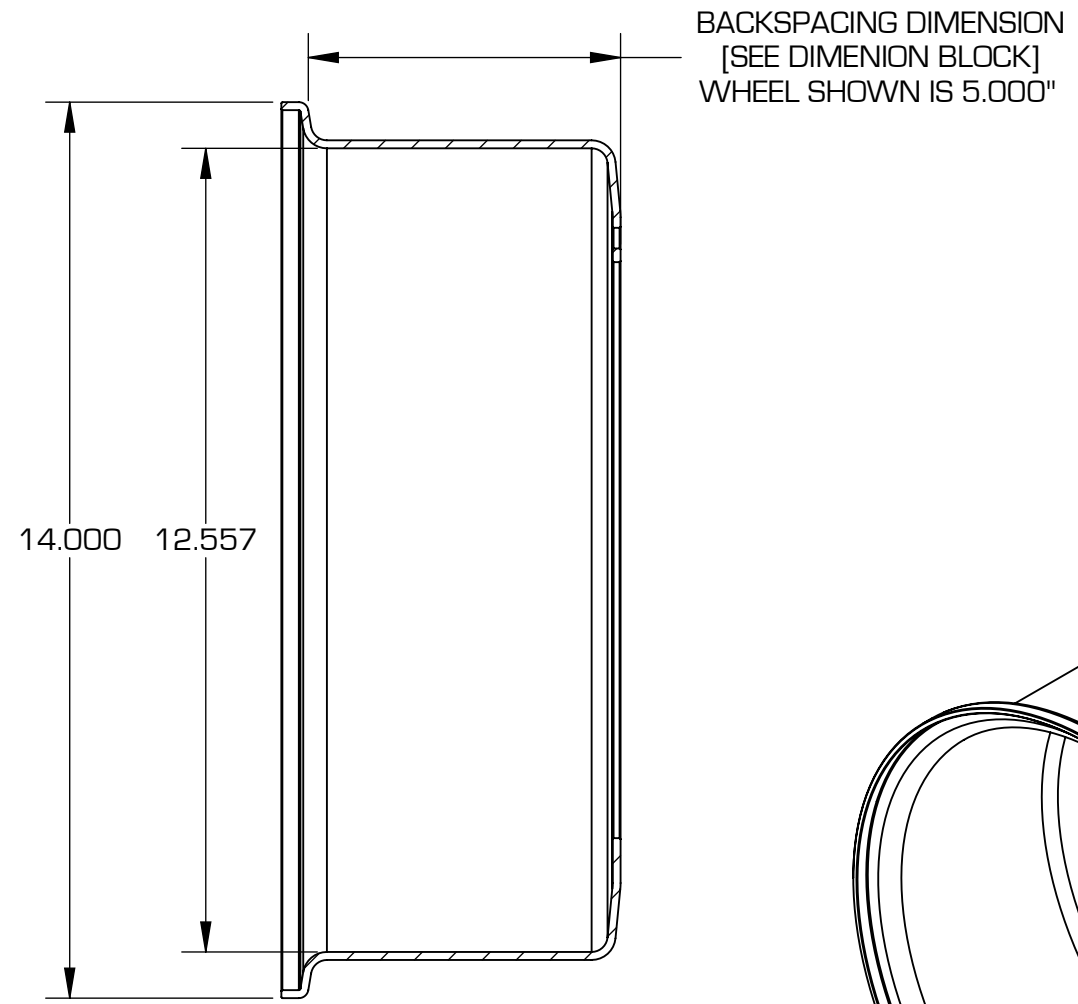
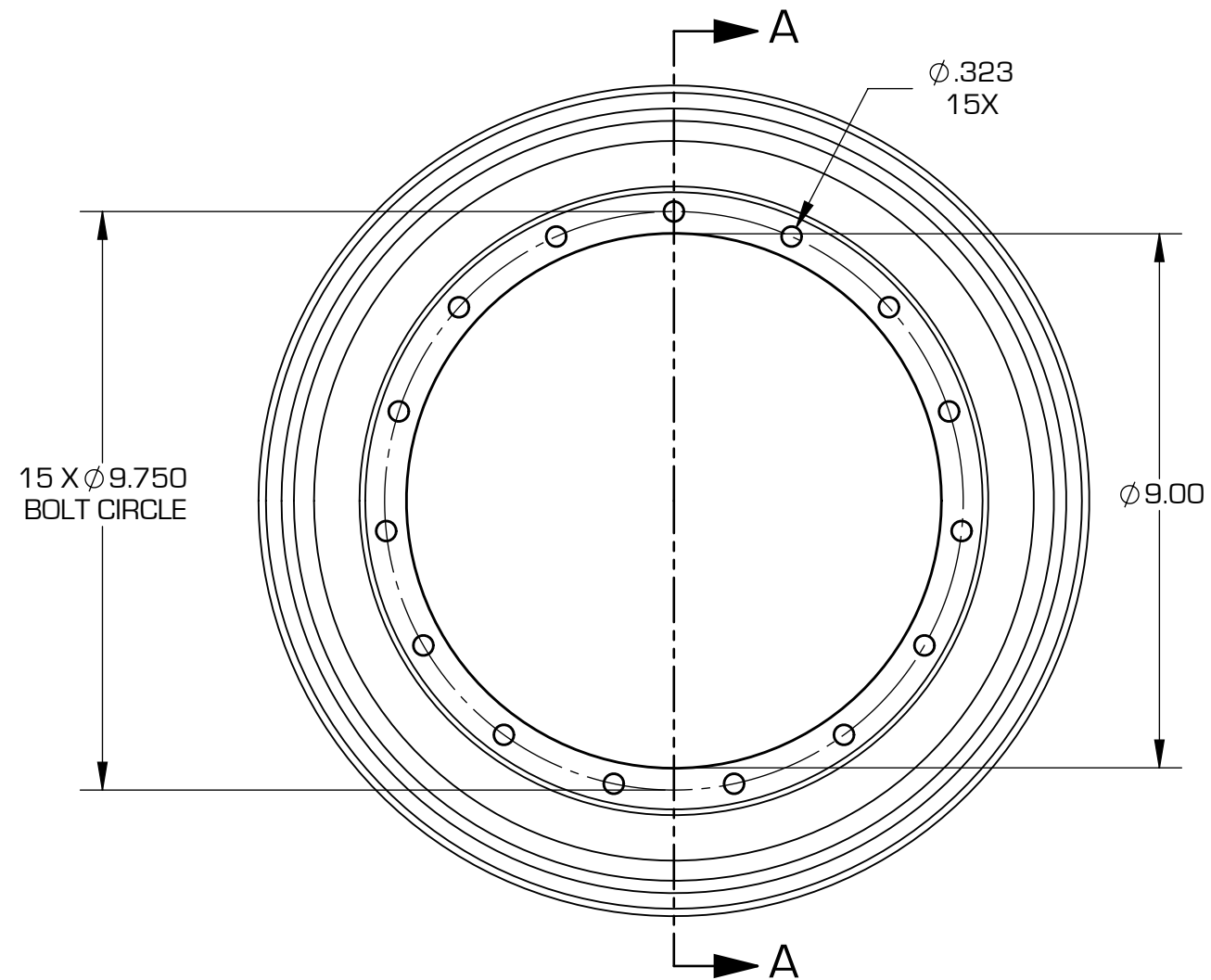
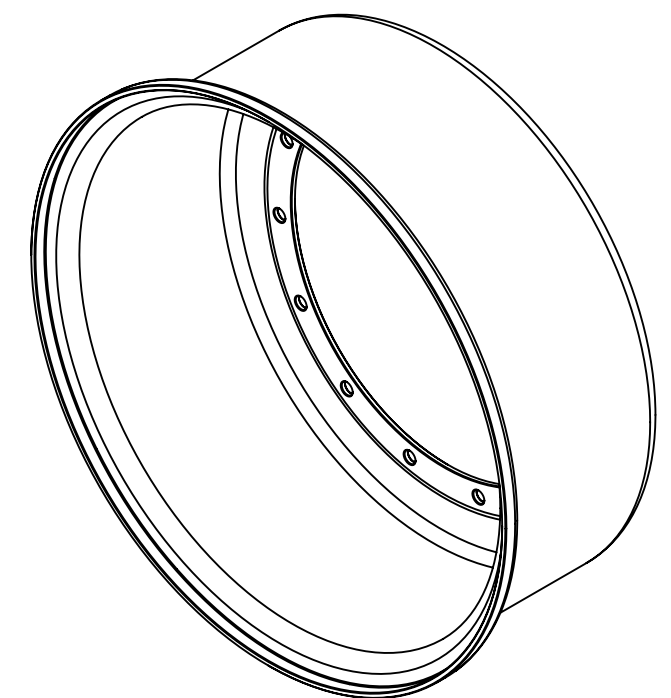


DIMENSION BLOCK
BACKSPACING
3.000"
4.000"
5.000"
6.000"
7.000"

REV.	DESCRIPTION	DATE	BY



SECTION A-A



3981 Jackson Avenue Orange City, Iowa 51041

PRODUCT Keizer Aluminum Wheels	MATERIAL
TITLE 13in Inner Rim Half	WEIGHT
DWG. NO.	FINISH
PART NO.	B DO NOT SCALE DRAWING

DRAWN BY JCS
DATE 25 Aug 09
SHEET 1 OF 1
SCALE:1:3

TOLERANCES UNLESS NOTED
 ([INCHES] mm
 .XXX = ±.005 .XX = ±.10
 .XX = ±.010 .X = ±.25
 ANGLES = ±1°

PROPRIETARY AND CONFIDENTIAL
 THE INFORMATION CONTAINED IN THIS
 DRAWING IS THE SOLE PROPERTY OF THE
 RACESENG DESIGN INC. ANY
 REPRODUCTION IN PART OR AS A WHOLE
 WITHOUT THE WRITTEN PERMISSION OF THE
 RACESENG DESIGN INC. IS PROHIBITED.