

Custom Wheel Specification

Phone: 712-737-3053

Fax: 712-737-3055

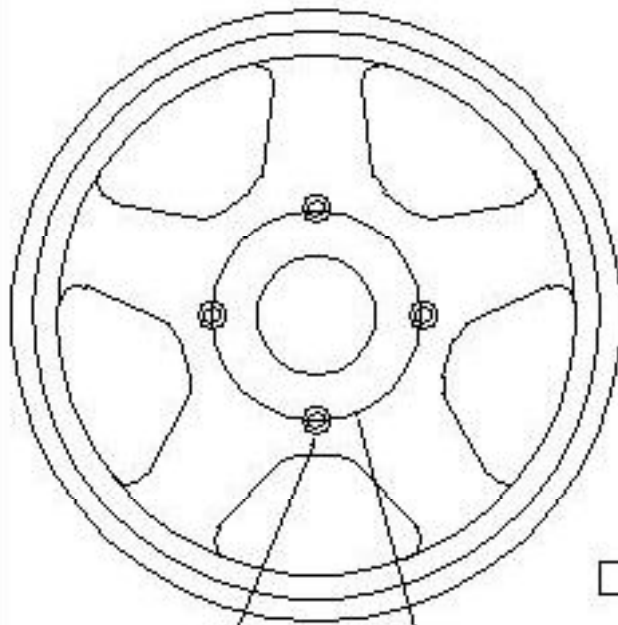
Customer Name:

Phone Number:

Address:

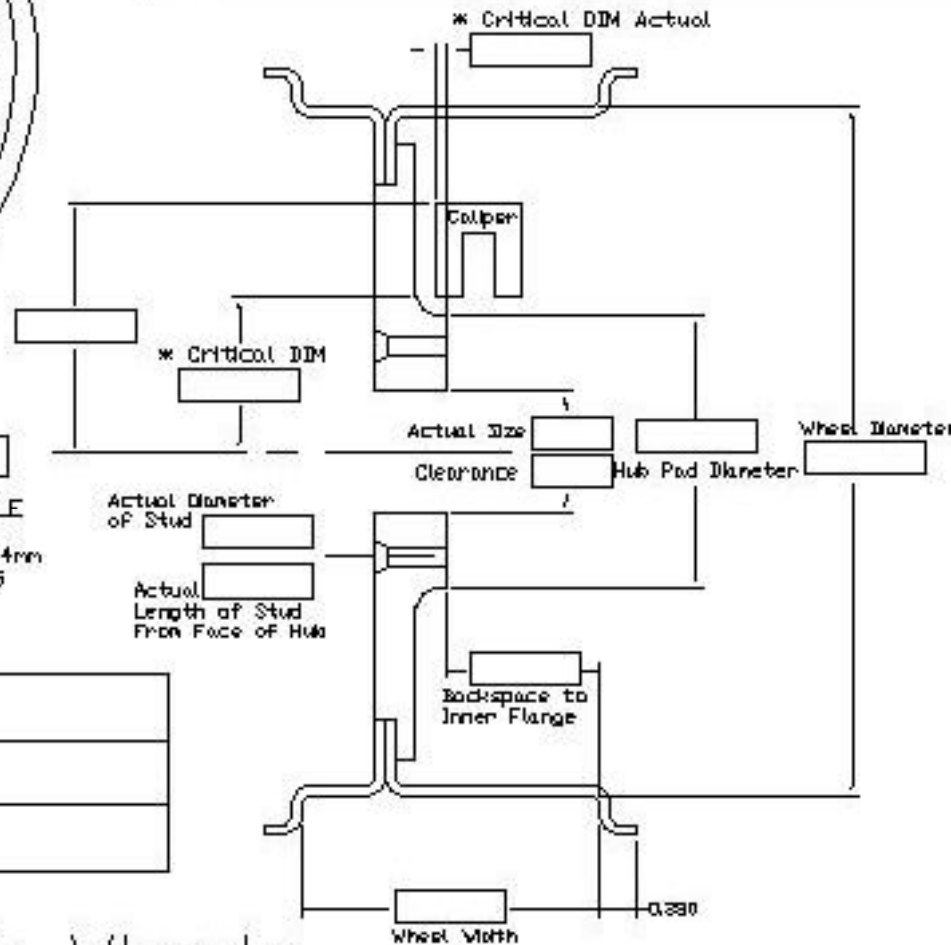
Email:

Signature:



C'SINK ANGLE
Eg. 60 Degree
Std.

BOLT CIRCLE
DIAMETER
Eg. 4 X 144mm
5 X 45



Car Type	
Car Weight	
G-Load Capacity	

For Center-Lock Wheels

Length of Stud Axle	
Center Lock Washer Diameter	
Actual Drive Pin Diameter	
Drive Pin Depth	
Drive Pin Bolt Circle	
Drive Pin Qty.	
Thickness of Center-Lock Washer	