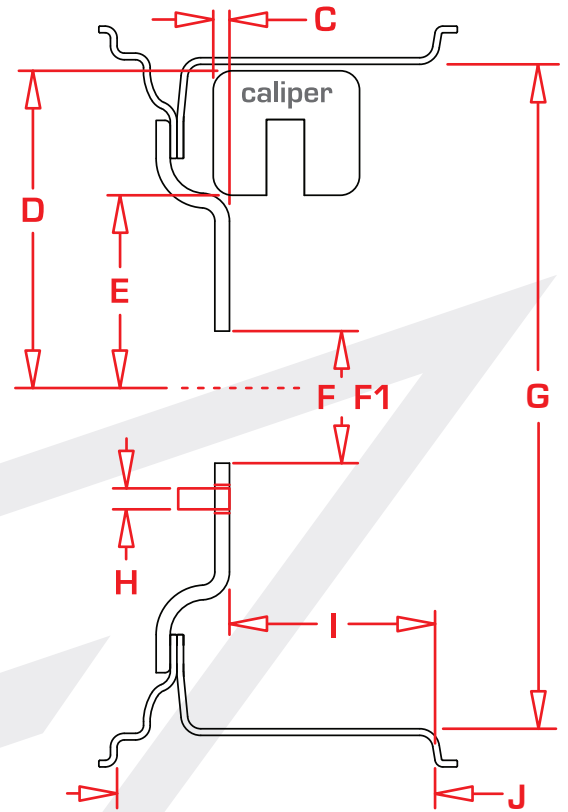
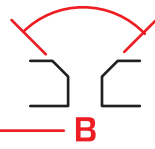
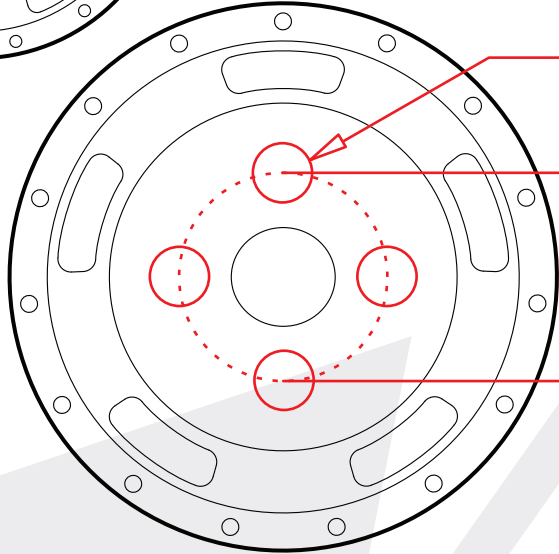
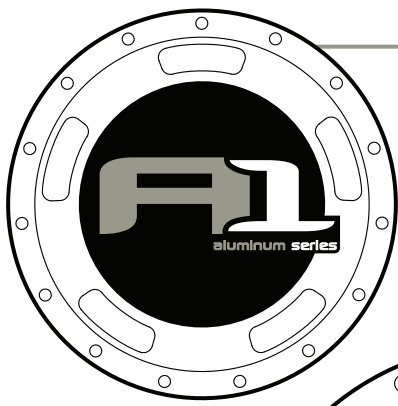


CUSTOM WHEEL SPECIFICATION



WHEEL SPECS

[bolt circle diameter] **A** _____

[number of lugs 3, 4, 5, 6] **A1** _____

[c'sink angle] **B** _____

[critical dim. actual] **C** _____

[critical dim. actual] **D** _____

[critical dim. actual] **E** _____

[actual size] **F** _____

[actual size plus clearance] **F1** _____

[wheel diameter] **G** _____

[actual diameter of stud] **H** _____

[backspacing to inner flange] **I** _____

[width of wheel] **J** _____

CUSTOMER INFORMATION

customer name _____

phone number _____

address _____

email _____

signature _____

car type _____

car weight _____

G-load capacity _____