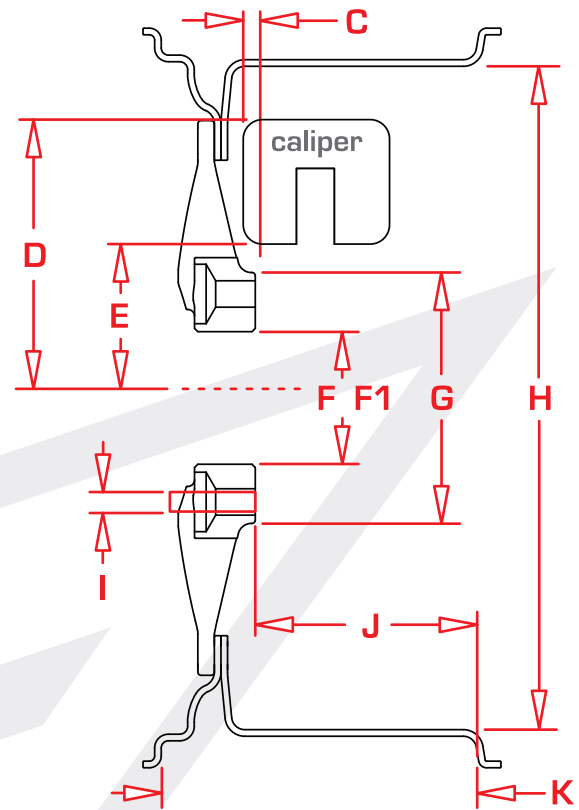
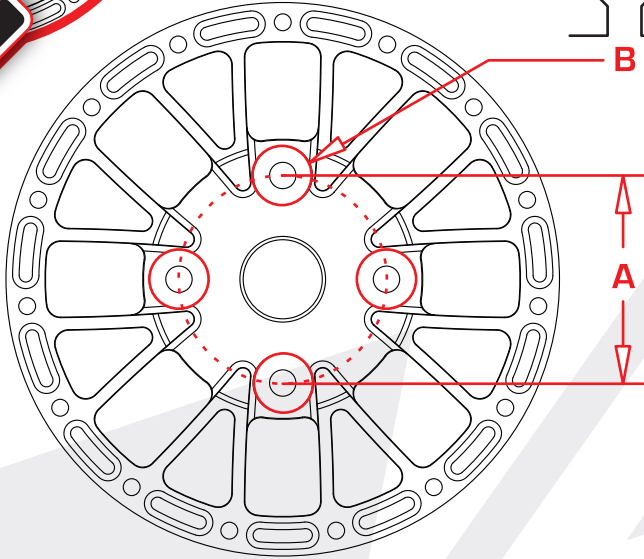
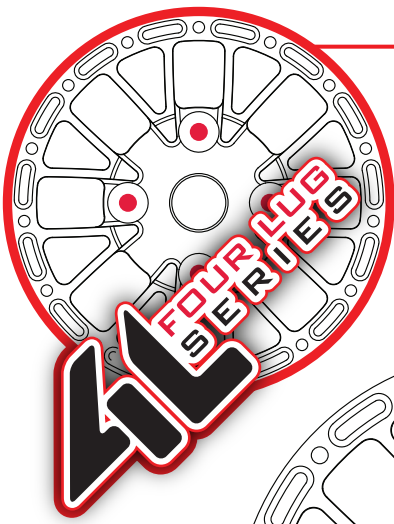


CUSTOM WHEEL SPECIFICATION



WHEEL SPECS

- [bolt circle diameter] **A** _____
- [c'sink angle] **B** _____
- [critical dim. actual] **C** _____
- [critical dim. actual] **D** _____
- [critical dim. actual] **E** _____
- [actual size] **F** _____
- [actual size plus clearance] **F1** _____
- [hub pad diameter] **G** _____
- [wheel diameter] **H** _____
- [actual diameter of stud] **I** _____
- [backspacing to inner flange] **J** _____
- [width of wheel] **K** _____

CUSTOMER INFORMATION

- customer name _____
- phone number _____
- address _____
- _____
- email _____
- signature _____
- car type _____
- car weight _____
- G-load capacity _____
- FOR CENTER LOCK WHEELS** _____
- length of stub axle _____
- center lock washer diameter _____
- actual drive pin diameter _____
- drive pin length _____
- drive pin bolt circle _____
- drive pin qty _____
- thickness of center lock washer _____